

LOAD RESTRAINT GUIDELINE

Low friction sheet packs

1000 mm minimum length
700 mm minimum width

1. This guideline applies to:

- Low friction banded steel sheet packs (not fully unitized - see Section 6). Low friction products are:
 - Pickled and oiled sheets
 - Cold reduced sheets
 - Coated sheet products.

The lowest friction factor for these products, determined as per EN 12195:2010-1 Annex B.1.2, is $\mu = 0.31$.

2. Essential requirements

- Packs must be banded with a minimum of 2 longitudinal and 2 lateral bands.
- All restraints must be web lashings compliant with EN 12195-2, minimum lashing capacity LC 2000 daN.
- Web lashings must be protected from all sharp edges and abrasive surfaces, including trailer side rails.

3. Overview of restraint system

- ✓ Blocked forward (see Section 5 for alternative options).
- ✓ 2 pairs of opposing loops per stack for sideways restraint.
- ✓ Restrained in rearward direction.

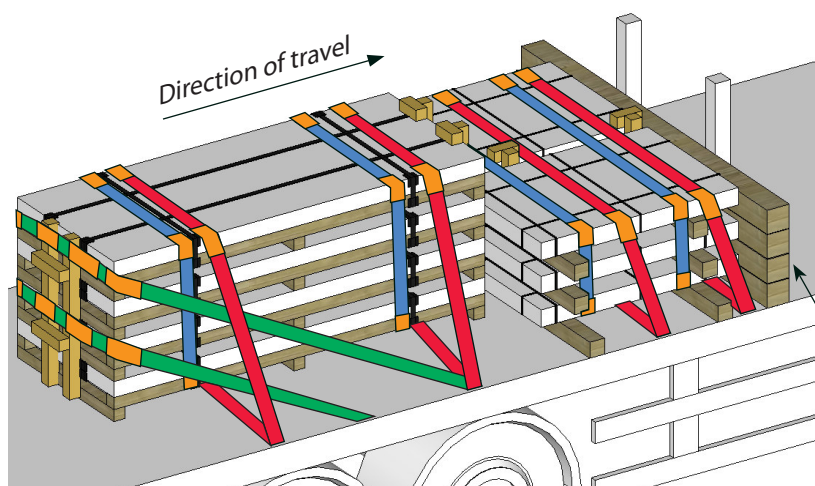


Table 1: Stanchion post option

Stanchion post size	Permissible payload against each pair of posts
80 x 80 x 5 mm	10 t
100 x 100 x 4 mm	12 t

Apply timbers as necessary to create suitable forward blocking

Shown with stanchion posts option blocking forward and timber 'H' frame option for rearward restraint.

This Load Restraint Guideline has been designed and tested to meet the forces for road and sea transport as stated in EN 12195-1:2010 and VDI 2700.

LOAD RESTRAINT GUIDELINE

Low friction sheet packs

4. Load configuration

4.1 Maximum load height by stack weight

Table 2: Maximum height per stack

Stack weight	Max. height
6 t	1200 mm
7 t	1000 mm
8 t	900 mm

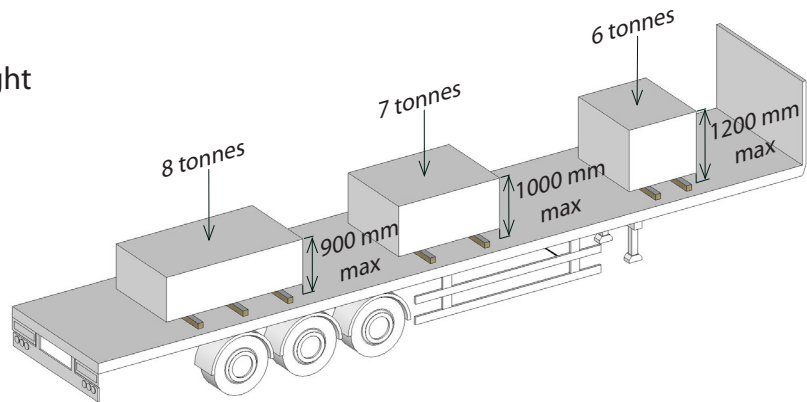
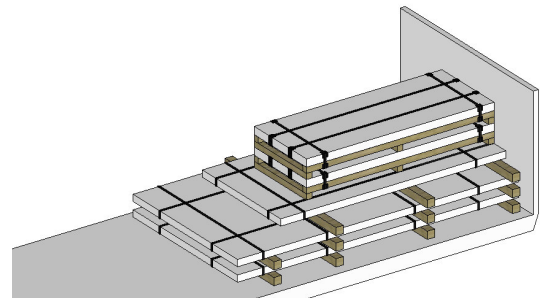


Diagram and table illustrating max. height to weight ratio per stack. **Maximum height must never exceed 1200 mm from bed of trailer.**

4.2 Pyramid stacking

Sheet packs of different sizes can be stacked together:

- Align stacks at the front to allow restraints to be applied for forward forces.
- Apply additional straps to the longer packs if they are more than 1.5 times the length of the shorter packs (see illustration in Section 5.2).
- Top packs must be restrained for sideways and rearward forces (see Section 5.2 opposite).

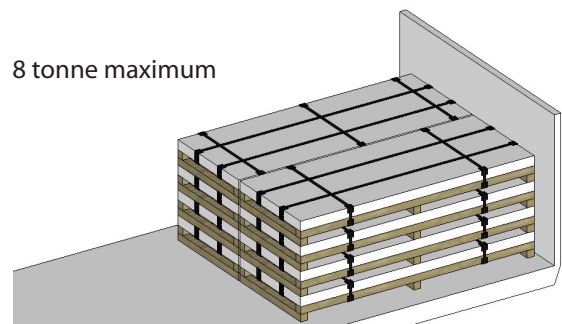


Pyramid stack showing alignment of packs at the front.

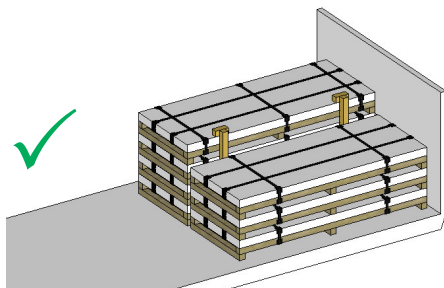
4.3 Side by side stacks

Sheet packs can be stacked side by side:

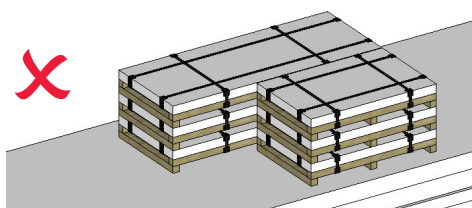
- Total combined weight of both stacks must not exceed 8 tonnes.
- Gaps must be closed between stacks, or secure vertical timbers must be inserted.
- Align stacks at the front.



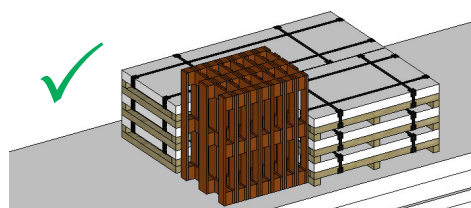
Side by side stacks loaded tight together to close gap.



Stacks of different heights must be restrained against sideways forces by applying timbers between stacks or building in a pyramid.



Direction of travel →



Stacks of different lengths must have the rear gap filled to allow rearward restraint to be applied.

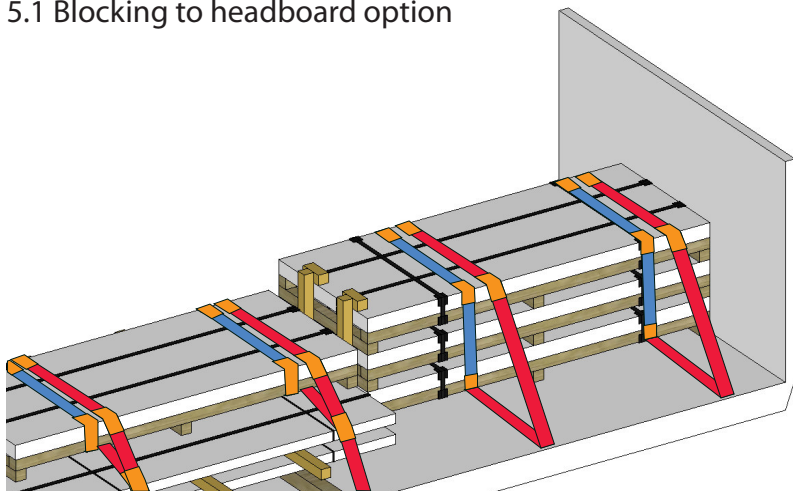
LOAD RESTRAINT GUIDELINE

Low friction sheet packs

5. Load restraint options

In addition to the stanchion post option shown in Section 3, the following alternative methods may also be used.

5.1 Blocking to headboard option



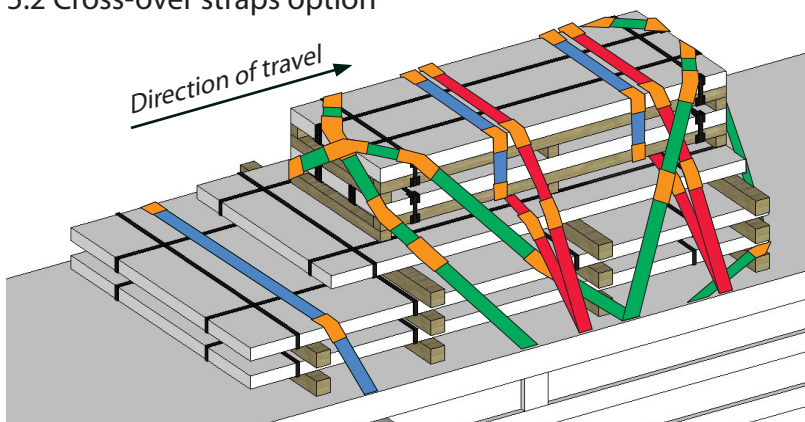
- ✓ Blocked forward.
- ✓ Headboard must cover height of product.
- ✓ 2 pairs of opposing loops per stack.
- ✓ Higher front stack is blocked rearward by vertical timbers.

Table 3: Trailer headboard - EN 12642

Trailer type	Permissible payload
Code L or equivalent*	10 t
Code XL or equivalent*	28 t

* See Technical Information Sheet TIS-0010

5.2 Cross-over straps option

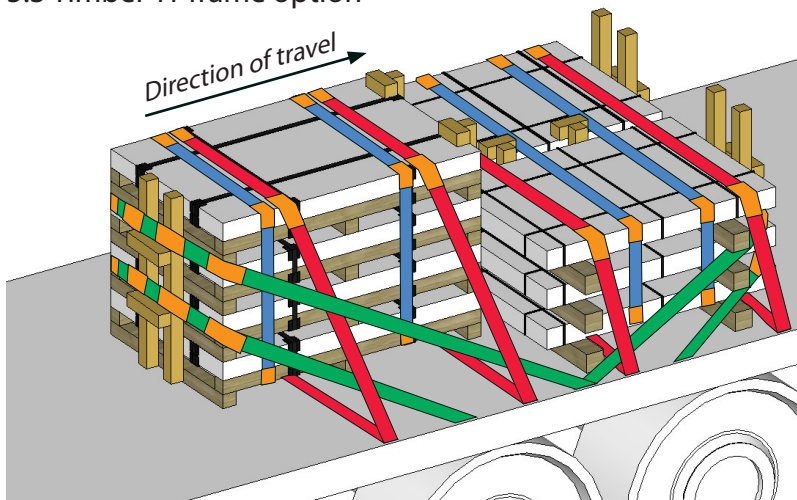


- ✓ Front of packs aligned and front cross-over straps covering all packs.
- ✓ 2 pairs of opposing loops (applied to upper packs if pyramid stacked).
- ✓ Rear cross-over straps (applied to upper packs if pyramid stacked).
- ✓ Additional strap or straps applied when longer packs are more than 1.5 times the shorter packs.

Table 4: Cross-over strap capacities

Qty. of restraints	Permissible payload	
	Forwards	Rearwards
LC 2000 daN		
1 pair	12 t	24 t

5.3 Timber 'H' frame option



- ✓ Front of packs aligned.
- ✓ Timber 'H' frame used to restrain against forward or rearward forces and lashed back with a minimum of 2 straps.
- ✓ 2 pairs of opposing loops per stack.

Table 5: Timber 'H' frame

Qty. of restraints	Permissible payload	
	Forwards	Rearwards
LC 2000 daN		
2	10 t	24 t
3	14 t	28 t

LOAD RESTRAINT GUIDELINE

Low friction sheet packs

5.4 Sideways restraint (opposing loops or 'strangle strapping')



Note: Edge protection must be used on all corners and sharp edges.



Side by side stacks or parallel stacks: opposing loops wrap around all material in all stacks.

Pyramid stacks: opposing loops wrap around top packs only.

6. Unitizing sheet packs

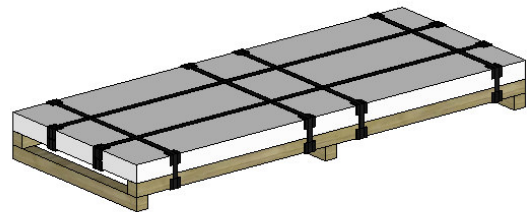
Additional banding or packaging can be used to fully unitize a sheet pack so that it acts as a single unit. When low friction sheet packs are unitized LRG-0030-SP can be used.

Tables 6 below shows the number of packaging bands (steel or plastic) required to unitize low friction sheet packs:

Table 6: Banding to unitize low friction sheet packs

Weight of sheet pack	Number of bands
1 tonne	4
1.5 tonnes	6
2 tonnes	8
2.5 tonnes	10
3 tonnes	11

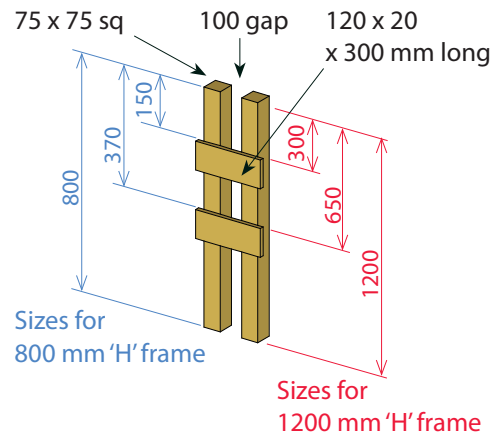
Calculated for banding pre-tension of 175daN.



7. Equipment

7.1 Timber 'H' frame

- Frame height must cover the height of the stack being restrained.
- 2 optional sizes are shown opposite - select the most appropriate size for the stack being restrained.
- Note that the 'H' frames can be used either way up to provide the best strap positions.



7.2 Timber 'T' block

- Used for chocking gaps between stacks, can be positioned from floor removing the need to access the bed of trailer.
- Minimum timber section 75 x 75 mm, length dependant on the height of material stack.

7.3 Edge protection



Edge protection must be used to protect all webbing straps in contact with steel and all sharp edges.

Care has been taken to ensure that the contents of this publication are accurate, but Tata Steel Europe Limited and its subsidiaries do not accept responsibility or liability for errors or information that is found to be misleading.